



User Manual

ULTRA HIGH SPEED BURNISHER
DR1500H-EU



English	User Manual.....	1-9
Dansk	Brugermanual.....	10-18
Svenska	Bruksanvisning.....	19-27
Norsk	Brukerhåndbok.....	28-36
Suomi	Käyttöopas.....	37-45

Information om firmaet:

www.vipercleaning.eu

info-eu@vipercleaning.com

41528EU (1) – 2009-01-01



TABLE OF CONTENTS

INTRODUCTION	2
MANUAL PURPOSE AND CONTENTS	2
TARGET	2
HOW TO KEEP THIS MANUAL	2
DECLARATION OF CONFORMITY	2
OTHER REFERENCE MANUALS	2
SPARE PARTS AND MAINTENANCE	2
CHANGES AND IMPROVEMENTS	3
OPERATION CAPABILITIES	3
CONVENTIONS	3
UNPACKING/DELIVERY	3
SAFETY	3
SYMBOLS	3
GENERAL INSTRUCTIONS	4
MACHINE DESCRIPTION	6
MACHINE STRUCTURE	6
TECHNICAL DATA	7
WIRING DIAGRAM FOR DR1500H-EU	8
OPERATION OF MACHINE	9
BASIC OPERATION	9
MAINTENANCE	9
STORAGE	9

INTRODUCTION



NOTE

The numbers in brackets refer to the components shown in Machine Description chapter

MANUAL PURPOSE AND CONTENTS

The purpose of this Manual is to provide the operator with all necessary information to use the machine properly, in a safe and autonomous way. It contains information about technical data, safety, operation, storage, maintenance, spare parts and disposal. Before performing any procedure on the machine, the operators and qualified technicians must read this Manual carefully. Contact VIPER in case of doubts concerning the interpretation of the instructions and for any further information.

TARGET

This Manual is intended for operators and technicians qualified to perform the machine maintenance. The operators must not perform procedures reserved for qualified technicians. VIPER will not be answerable for damages coming from the non-observance of this prohibition.

HOW TO KEEP THIS MANUAL

The User Manual must be kept near the machine, inside an adequate case, away from liquids and other substances that can cause damage to it.

DECLARATION OF CONFORMITY

The declaration of conformity, supplied with the machine, certifies the machine conformity with the law in force.



NOTE

Two copies of the original declaration of conformity are provided together with the machine documentation. CE-declaration is print in Quick Start Guide

IDENTIFICATION DATA

The machine model and serial number are marked on the plate (1).

The machine model year is written in the declaration of conformity and it is also indicated by the first two figures of the machine serial number.

This information is useful when requiring machine spare parts. Use the following table to write down the machine identification data.

MACHINE mode.....
MACHINE serial number.....

OTHER REFERENCE MANUALS

- Service Manual (that can be consulted at VIPER Service Centers)
- Spare Parts List (see www.vipercleaning.eu)

SPARE PARTS AND MAINTENANCE

All necessary operating, maintenance and repair procedures must be performed out by qualified personnel or by VIPER Service Centers. Only original spare parts and accessories must be used.

Contact VIPER for service or to order spare parts and accessories, specifying the machine model and serial number.

CHANGES AND IMPROVEMENTS

VIPER constantly improves its products and reserves the right to make changes and improvements at its discretion without being obliged to apply such benefits to the machines that were previously sold.

Any change and/or addition of accessories must be approved and performed by VIPER.

OPERATION CAPABILITIES

These dragon series high speeds are used to dry cleaning solid floors, under safe operation conditions by a qualified operator.

CONVENTIONS

Forward, backward, front, rear, left or right and up are intended with reference to the operator's position, that is to say in working position with the handle.

UNPACKING/DELIVERY

To unpack the machine, carefully follow the instructions on the packing.

When the machine is delivered, check that the packing and the machine were not damaged during transportation. In case of visible damages, keep the packing and have it checked by the carrier that delivered it. Call the carrier immediately to fill in a damage claim. Check that the machine is equipped with the following features:

1. Technical documents:

- DRAGON SERIES ULTRA HIGH SPEED User Manual
- DRAGON SERIES ULTRA HIGH SPEED Spare Parts List

SAFETY

The following symbols indicate potentially dangerous situations. Always read this information carefully and take all necessary precautions to safeguard people and property.

The operator's cooperation is essential in order to prevent injury. No accident prevention program is effective without the total cooperation of the person responsible for the machine operation. Most of the accidents that may occur in a factory, while working or moving around, are caused by failure to comply with the simplest rules for exercising prudence. A careful and prudent operator is the best guarantee against accidents and is essential for successful completion of any prevention program.

SYMBOLS



DANGER!

It indicates a dangerous situation with risk of death for the operator.



WARNING!

It indicates a potential risk of injury for people or damage to objects.



CAUTION!

It indicates a caution related to important or useful functions. Pay careful attention to the paragraphs marked by this symbol.



NOTE

It indicates the necessity to refer to the User Manual before performing any procedure.

GENERAL INSTRUCTIONS

Specific warnings and cautions to inform about potential damages to people and machine are shown below.



DANGER!



- **CAUTION:** This appliance is not suitable for picking up hazardous part.
- **CAUTION:** This appliance is for dry use only and is not to be used or stored outdoors in wet conditions.
- **WARNING:** Only use the brushes provided with the appliance or those specified in the instruction manual. The use of other brushes may impair safety.
- This appliance is suitable for commercial use, for example in hotels, schools, hospitals, factories, shops, offices and rental businesses.
- Do not allow the rotating brushes to come into contact with the supply cord.
- The A-weighted sound pressure level LPA in dB(A) < 85 dB (A) emitted by the appliance.
- Always disconnect the power supply cable when the machine is not in use, before performing maintenance procedures, before replacing the brush/pad-holder and before opening any access panel.
- This machine must be used by properly trained and authorised personnel only. Children or disabled people cannot use this machine.
- Do not wear jewels when working near electrical components.
- Do not work under the lifted machine without supporting it with safety stands.
- Do not operate the machine near toxic, dangerous, flammable and/or explosive powders, liquids or vapours.



WARNING!



- The machine power supply cable is grounded and the relevant plug is grounded too. In case of machine malfunction or breakdown, grounding connection reduces the risk of electric shock.
- The power supply cable plug must be connected to an appropriate outlet, which is grounded according to law in force.
- This appliance is not intended for use by persons (including children) with reduced physical, sensory or mental capabilities, or lack of experience and knowledge, unless they have been given supervision or instruction concerning use of the appliance by a person responsible for their safety.
- Children should be supervised to ensure that they do not play with the appliance.
- Regularly examine the supply cord for damage, such as cracking or ageing.
- If the supply cord is damaged, it must be replaced by the manufacturer, its service agent or similarly qualified persons in order to avoid a hazard.
- Improper connection can cause electric shock. Consult a qualified technician to make sure that the outlet is properly grounded.
- Do not tamper with the power supply cable plug. If the power supply cable plug cannot be connected to the outlet, have new grounded outlet installed by a qualified technician, according to the law in force.
- Before connecting the power supply cable to the electrical mains, check that frequency and voltage, shown on the machine serial number plate, match the electrical mains voltage.
- Regularly check the power supply cable for damages, cracks, cuts, etc. If the power supply cable is damaged, replace it immediately.
- To avoid any risk, if the power supply cable is damaged, contact VIPER Service Center or a qualified technician.
- Do not pull or carry the machine by the power supply cable and never use the power supply cable as a handle. Do not close a door on the power supply cable, or pull the power supply cable around sharp edges or corners. Do not run the machine on the power supply cable.
- Keep the power supply cable away from heated surfaces.
- To reduce the risk of fire, electric shock, or injury, do not leave the machine unattended when it is plugged in. Disconnect the machine from the electrical mains when not in use and before performing maintenance procedures.
- To avoid electric shock, do not expose the machine to rain or other bad weather conditions. Store the machine indoors, in a dry place.
- Do not allow to be used as a toy. Close attention is necessary when used near children.
- Use only as shown in this Manual. Use only VIPER'S recommended accessories.
- Take all necessary precautions to prevent hair, jewels and loose clothes from being caught by the machine moving parts.
- Do not leave the machine unattended without being sure that it cannot move independently.
- Do not use the machine on slopes with a gradient exceeding the specifications.
- Do not use the machine in particularly dusty areas.
- While using this machine, take care not to cause damage to people or objects.
- Do not bump into shelves or scaffoldings, especially where there is a risk of falling objects.
- Do not put any can containing fluids on the machine.
- The machine working temperature must be between 0°C and +40°C.
- The machine storage temperature must be between 0°C and +40°C.

- *The humidity must be between 30% and 95%.*
- *Do not use the machine as a means of transport.*
- *Do not use the machine on slopes with a gradient exceeding the specifications.*
- *Do not allow the brush/pad to operate while the machine is stationary to avoid damaging the floor.*
- *In case of fire, use a powder fire extinguisher, not a water one.*
- *Do not tamper with the machine safety guards and follow the ordinary maintenance instructions scrupulously.*
- *Do not allow any object to enter into the openings. Do not use the machine if the openings are clogged. Always keep the openings free from dust, hairs and any other foreign material which could reduce the air flow.*
- *Do not remove or modify the plates affixed to the machine.*
- *If the machine is used according to the instructions, the vibrations are not dangerous. The machine vibration level is less than 2.5 m/s^2 (98/37/EEC-EN 1033/1995).*
- *This machine cannot be used on roads or public streets.*
- *Pay attention during machine transportation when temperature is below freezing point. The water in the recovery tank or in the hoses could freeze and seriously damage the machine.*
- *Use brushes and pads supplied with the machine and those specified in the User Manual. Using other brushes or pads could reduce safety.*
- *In case of machine malfunctions, ensure that these are not due to lack of maintenance. If necessary, request assistance from the authorised personnel or from VIPER Service Center.*
- *If the machine*
 - *does not work properly*
 - *is damaged*
 - *has water or foam leaks*
 - *has been left outdoors exposed to bad weather conditions*
 - *is wet or has been dropped into water*
- *turn it off immediately and contact VIPER Service Center or a qualified technician.*
- *If parts must be replaced, require ORIGINAL spare parts from VIPER Dealer or Retailer.*
- *To ensure machine proper and safe operation, the scheduled maintenance shown in the relevant chapter of this Manual, must be performed by the authorised personnel or by VIPER Service Center.*
- *Carefully read all the instructions before performing any maintenance/repair procedure.*
- *Do not wash the machine with direct or pressurised water jets, or with corrosive substances.*
- *The machine must be disposed of properly, because of the presence of toxic-harmful materials (batteries, electrical components, etc.), which are subject to standards that require disposal in special centres (see Scrapping chapter).*

MACHINE DESCRIPTION

- Handle mounted handle release
- Die-cast aluminum deck
- Folding handle for easy storage
- Safety lock-out switch
- Flexible pad driver
- Large rear transport wheels
- Handle-mounted circuit breaker

MACHINE STRUCTURE

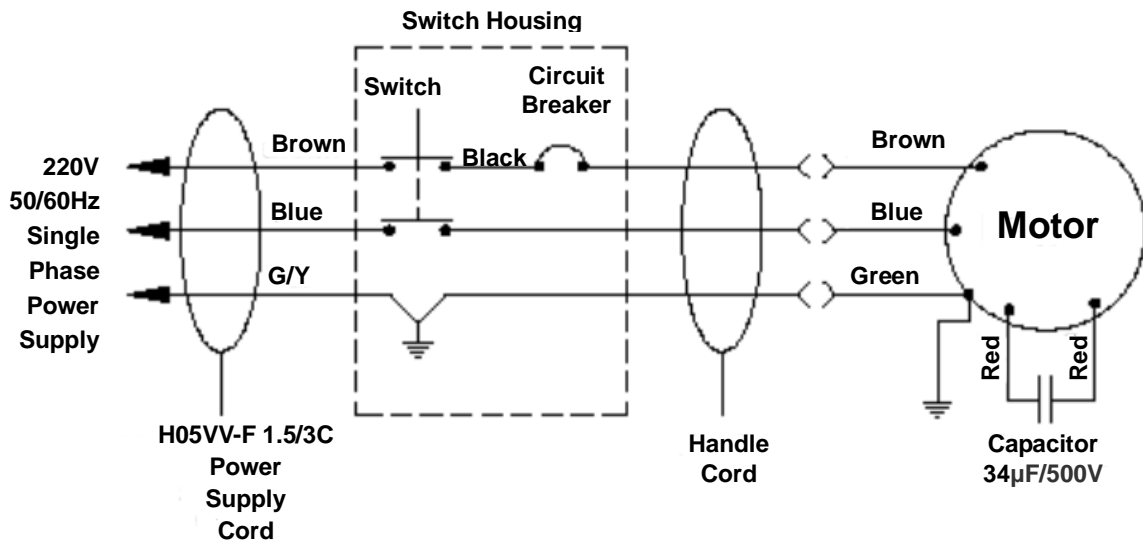
- | | |
|-----------------|---------------------------|
| 1. Rating plate | 2. Folding handle |
| 3. Handle grip | 4. Safety lock-out button |
| 5. Bumper | 6. Deck |
| 7. Wheel | |



TECHNICAL DATA

Model	DR1500H-EU
Voltage	220-240 V
Power	1100 W
Current	6.5 A
Frequency	50-60 Hz
RPM	1500
Deck Size	20" (51 cm)
Length of Power cord	15 m
Weight	39 Kg
Dimensions	L: 83.8 cm
	W: 53.3 cm
	H: 120.6 cm

WIRING DIAGRAM FOR DR1500H-EU



OPERATION OF ULTRA HIGH SPEED FLOOR MACHINE

BASIC OPERATION

- 1] Remove any obstructions or other obstacles in the area which is to be cleaned.
- 2] Place handle in upright position and tilt machine back until handle rests on the floor.

***Be sure the machine is not plugged into an outlet.**

- 3] Remove the pad center gripping device by unscrewing the thumbscrews.
- 4] Place appropriate burnishing pad on pad driver and re-attach the center gripping device.
- 5] Place machine back into its upright position.
- 6] Plug power cord into grounded outlet.

***Do not use an extension cord in conjunction with the standard power cord.**

- 7] Adjust the handle (switch housing) height to a comfortable operating position.
- 8] To start the machine, push on the Red safety button of the top of upper switch housing and squeeze either of the switch levers.
- 9] When the machine is in operation, both hands should be placed on the handle (switch housing).
- 10] To stop the machine at any time, simply release the switch lever, and the machine will stop automatically.

MAINTENANCE

To keep the machine performing well for many years, please follow the following maintenance procedures.

*** Always confirm that the machine is unplugged prior to performing any maintenance or repairs.**

- 1] Unplug machine as soon as you are not using it.
- 2] Clean the outside of the machine with a mild cleaner.
- 3] Check power cord for any damage. If any damage is detected, replace the cord immediately.
- 4] Lubricate wheels with a water resistant lubricant every month.
- 5] Check machine for loose or missing nuts and bolts, and replace as necessary.
- 6] If the machine is used in a dusty environment, you may remove the motor cover and blow the motor clean with compressed air. This will allow for good ventilation and help the motor run cooler.

STORAGE

- 1] Unplug machine from power source.
- 2] Store in upright position in a dry area.



Do not dispose of electrical appliances as unsorted municipal waste, use separate collection facilities.

INDHOLDSFORTEGNELSE

INTRODUKTION	11
FORMÅLET MED OG INDHOLDET I DENNE MANUAL	11
FORMÅL	11
SÅDAN OPBEVARER DU DENNE MANUAL	11
OVERENSSTEMMELSESERKLÆRING.....	11
ANDRE REFERENCEMANUALER	11
RESERVEDELE OG VEDLIGEHOLDELSE.....	11
ÆNDRINGER OG FORBEDRINGER.....	12
DRIFTSKAPACITET	12
KONVENTIONER.....	12
 UDPAKNING/LEVERING	 12
 SIKKERHED	 12
SYMBOLER.....	12
GENERELLE INSTRUKTIONER	13
 BESKRIVELSE AF MASKINEN	 15
MASKINENS STRUKTUR.....	15
TEKNISKE DATA.....	16
LEDNINGSDIAGRAM FOR DR1500H-EU	17
 DRIFT AF ULTRA HØJHASTIGHEDS GULVMASKINE.....	 18
NORMAL DRIFT.....	18
VEDLIGEHOLDELSE.....	18
OPBEVARING	18

INTRODUKTION



BEMÆRK

Tallene i parentes henviser til de komponenter, der er vist i kapitlet *Beskrivelse af maskinen*

FORMÅLET MED OG INDHOLDET I DENNE MANUAL

Formålet med denne manual er at give operatøren alle de nødvendige oplysninger om maskinen til at bruge den korrekt, på en sikker og selvstændig måde. Den indeholder oplysninger om tekniske data, sikkerhed, drift, opbevaring, vedligeholdelse, reservedele og bortskaffelse. Inden du udfører en procedure på maskinen, skal operatører og kvalificerede teknikere læse denne manual grundigt igennem. Kontakt VIPER i tilfælde af tvivl om fortolkningen af disse instruktioner, og for yderligere oplysninger.

FORMÅL

Denne manual er beregnet til operatører og teknikere der er kvalificerede til at udføre vedligeholdelse af maskinen. Operatørerne må ikke udføre procedurer forbeholdt kvalificerede teknikere. VIPER vil ikke være ansvarlig for skader, der kommer fra den manglende overholdelse af dette forbud.

SÅDAN OPBEVARER DU DENNE MANUAL

Brugermanualen skal opbevares i nærheden af maskinen, i et passende etui, væk fra væsker og andre stoffer, der kan forårsage skade på den.

OVERENSSTEMMELSESERKLÆRING

Overensstemmelseserklæringen, der leveres med maskinen, attesterer maskinens overensstemmelse med gældende love.

BEMÆRK



To eksemplarer af den oprindelige overensstemmelseserklæring er forsynet sammen med maskinens dokumentation.

CE-erklæring er trykt i *Hurtigstart-guiden*

IDENTIFIKATIONSDATA

Maskinens model og serienummer er markeret på pladen (1).

Maskinen modelår er trykt i overensstemmelseserklæringen, og det er også angivet med de første to cifre i maskinens serienummer.

Denne information er nyttig, når der kræves reservedele til maskinen. Brug følgende tabel til at nedskrive maskinens identifikationsdata.

MASKINENS model.....
MASKINENS serienummer.....

ANDRE REFERENCEMANUALER

- Servicemanual (denne kan ses på alle VIPER Servicecentre)
- Liste over reservedele (se www.vipercleaning.eu)

RESERVEDELE OG VEDLIGEHOLDELSE

Alle nødvendige drifts-, vedligeholdelses- og reparationsprocedurer skal udføres af kvalificeret personale eller af VIPER servicecentre. Kun originale reservedele og tilbehør må anvendes.

Kontakt VIPER for service eller for at bestille reservedele og tilbehør, med angivelse af maskinens model og serienummer.

ÆNDRINGER OG FORBEDRINGER

VIPER forbedrer konstant sine produkter og forbeholder sig ret til at foretage ændringer og forbedringer på eget skøn, uden at være forpligtet til at anvende disse ydelser på maskiner, der tidligere blev solgt.

Enhver ændring og/eller tilføjelse af tilbehør skal godkendes og udføres af Viper.

DRIFTSKAPACITET

Denne series høje hastigheder bruges til tørrengøring af faste gulve, under sikre driftsbetingelser med en kvalificeret operatør.

KONVENTIONER

Frem, tilbage, forside, bagside, venstre eller højre og op er beregnet med henvisning til førersædet, dvs. i arbejdsstilling med håndtaget.

UDPAKNING/LEVERING

For at pakke maskinen ud, skal du omhyggeligt følge vejledningen på emballagen.

Når maskinen er leveret, skal du kontrollere, at emballagen og maskinen ikke er blevet beskadiget under transporten. I tilfælde af synlige skader, behold pakning og kontroller med frachtselskabet, der leverede den. Ring straks til frachtselskabet, for at udfylde en skadespåstand. Kontroller at maskinen er udstyret med følgende funktioner:

1. Tekniske dokumenter:

- DRAGON SERIEN ULTRAHURTIG Brugermanual
- DRAGON SERIES ULTRAHURTIG Liste med reservedele

SIKKERHED

Følgende symboler angiver potentielt farlige situationer. Læs altid denne information grundigt og træf alle nødvendige forholdsregler for at beskytte mennesker og ejendom.

Operatørens samarbejde er afgørende for at forebygge skader. Ingen forebyggelse af ulykker er effektiv uden samarbejde med den ansvarlige for maskinens drift. De fleste af de ulykker, der kan opstå på en fabrik, mens du arbejder eller flytter rundt, er forårsaget af manglende overholdelse af de enkleste regler for udøvelse af forsigtighed. En omhyggelig og forsigtig operatør er den bedste garanti mod ulykker og er afgørende for en vellykket gennemførelse af ethvert forebyggelsesprogram.

SYMBOLER



FARE!

Det indikerer en farlig situation med risiko for død for operatøren.



ADVARSEL!

Det indikerer en potentiel risiko for skader på mennesker eller skader på genstande.



FORSIGTIG!

Det indikerer en forsigtighed i relation til vigtige eller nyttige funktioner. Vær særlig opmærksom på de afsnit, der er markeret med dette symbol.



BEMÆRK

Det indikerer nødvendigheden af at henvise til brugermanualen, før du udfører nogen procedure.

GENERELLE INSTRUKTIONER

Specifikke advarsler og forholdsregler for at oplyse om potentielle skader på mennesker og maskine er vist nedenfor.



FARE!



- **ADVARSEL:** Denne maskine er ikke egnet til optagning af farlige substanser.
- **ADVARSEL:** Denne maskine må kun bruges til tør brug, og må ikke anvendes eller opbevares udendørs i våde forhold.
- **ADVARSEL:** Brug kun de børster, der følger med maskinen eller de i brugsanvisningen.
- Brug af andre børster kan forringe sikkerheden.
- Denne maskine er egnet til kommerciel brug, for eksempel i hoteller, skoler, hospitaler, fabrikker, butikker, kontorer og leje virksomheder.
- Lad ikke de roterende børster til at komme i kontakt med ledningen.
- Det A-vægtede lydtrykkniveau LPA i dB (A) <85 dB (A), der udsendes af apparatet.
- Afbryd altid strømforsyningskablet, når maskinen ikke er i brug, før der udføres vedligeholdelsesprocedurer, før du udskifter børste / pude-holder og før åbning enhver adgang panel.
- Denne maskine skal anvendes af uddannet og autoriseret kun personale. Børn eller handicappede kan ikke bruge denne maskine.
- Bær ikke smykker, når der arbejdes i nærheden af elektriske komponenter.
- Du må ikke arbejde under en løftet maskine uden at understøtte den med sikkerhedsstativ.
- Brug ikke maskinen i nærheden af giftige, farlige, brændbare og/eller eksplosive pulver, væsker eller dampe:



ADVARSEL!



- Strømforsyningen på maskinen er jordet, og det relevante stik er jordet. I tilfælde af maskinfejl eller nedbrud, grundstødning tilslutning reducerer risikoen for elektrisk stød.
- Strømforsyningens stik skal tilsluttes til en passende stikkontakt, som er jordet i henhold til gældende lovgivning.
- Denne maskine er ikke beregnet til brug af personer (herunder børn) med nedsatte fysiske, sensoriske eller mentale evner, eller manglende erfaring og viden, medmindre de er blevet vejledt eller instrueret i brugen af apparatet af en person med ansvar for deres sikkerhed.
- Børn skal være under opsyn for at sikre, at de ikke leger med maskinen.
- Regelmæssigt undersøg ledningen for skader, såsom revner eller ældning.
- Hvis ledningen er beskadiget, skal den udskiftes af producenten, dennes servicerepræsentant eller en tilsvarende kvalificeret fagmand for at undgå enhver risiko.
- Forkert tilslutning kan forårsage elektrisk stød. Kontakt en kvalificeret tekniker for at sikre, at stikkontakten er korrekt jordet.
- Pil ikke ved strømforsyningskablet. Hvis strømforsyningen kablet stikket ikke kan tilsluttes til stikkontakten, har nye jordforbindelse installeres af en kvalificeret tekniker i henhold til gældende lovgivning.
- Før du tilslutter strømforsyningskablet med en elektrisk stikkontakt, skal du kontrollere, at frekvens og spænding, der vises på maskinens serienummer plade, matcher den elektriske netspænding.
- Kontrollér regelmæssigt strømforsyningskablet for skader, revner, snit osv Hvis strømforsyningen kablet er beskadiget, skal den udskiftes med det samme.
- For at undgå enhver risiko, hvis strømkablet er beskadiget, kontakt VIPER servicecenter eller en kvalificeret tekniker.
- Du må ikke trække eller bære maskinen ved strømforsyningskablet og brug aldrig strømforsyningskablet som håndtag. Du må ikke lukke en dør over strømforsyningskablet, eller trække strømkablet omkring skarpe kanter eller hjørner. Kør ikke maskinen over strømforsyningskablet.
- Hold strømkablet væk fra varme overflader.
- For at mindske risikoen for brand, elektrisk stød eller personskade, ikke forlader maskinen uden opsyn, når den er sat i.
- Afbryd maskinen fra lysnettet, når den ikke er i brug, og før du udfører vedligeholdelsesprocedurer.
- For at undgå elektrisk stød må ikke udsætte maskinen for regn eller andre dårlige vejrforhold. Opbevar maskinen indendørs, på et tørt sted.
- Maskinen må ikke anvendes som legetøj. Opmærksomhed er nødvendig, når den anvendes i nærheden af børn.
- Brug kun som vist i denne manual. Brug kun Vipers anbefalede tilbehør.
- Tag alle nødvendige forholdsregler for at forhindre hår, smykker og løse klæder fra at blive fanget af maskinens bevægelige dele.
- Efterlad ikke maskinen uden opsyn uden at være sikker på, at den ikke kan bevæge sig uafhængigt.
- Maskinen må ikke bruges på skråninger med en hældning der overskrider specifikationerne.
- Maskinen må ikke anvendes i særligt støvede områder.
- Mens du bruger denne maskine, pas på ikke at forårsage skade på personer eller genstande.
- Undgå at støde ind hylde eller stilladser, især hvor der er risiko for nedfaldende genstande.
- Du må ikke sætte nogen former for beholdere der indeholder væsker på maskinen.
- Maskinens driftstemperatur skal være mellem 0 ° C og + 40 ° C.
- Opbevaringstemperaturen skal være mellem 0 ° C og + 40 ° C.

- *Luftfugtigheden skal være mellem 30 % og 95 %.*
- *Maskinen må ikke bruges som et transportmiddel.*
- *Maskinen må ikke bruges på skrånninger med en hældning der overskrider specifikationerne.*
- *Lad ikke børsten/puden fungere, mens maskinen står stille for at undgå at beskadige gulvet.*
- *I tilfælde af brand, skal du bruge et pulverbrandslukker, ikke en brandslukker med vand.*
- *Du må ikke pille ved sikkerhedsafskærmningerne på maskinen og skal følge de almindelige vedligeholdelsesinstruktioner nøje.*
- *Lad ikke nogen genstand ind i maskinen. Maskinen må ikke anvendes, hvis åbningerne er tilstoppede. Hold altid åbningerne fri for støv, hår og enhver anden fremmed materiale, som kan reducere luftstrømmen.*
- *Du må ikke fjerne eller ændre pladerne fastgjort til maskinen.*
- *Hvis maskinen anvendes i overensstemmelse med instruktionerne, vibrationerne er ikke farlige. Maskinen vibrationsniveau er mindre end 2,5 m / s² (98/37 / EØF-EN 1033/1995).*
- *Denne maskine kan ikke anvendes på veje eller offentlige gader.*
- *Vær opmærksom på maskinens transport, når temperaturen er under frysepunktet. Vandet i opsamlingsstanken eller i slangerne kan fryse og alvorligt beskadige maskinen.*
- *Brug børster og puder leveres med maskinen, og dem, der er angivet i brugervejledningen. Brug af andre børster eller puder kan reducere sikkerheden.*
- *I tilfælde af maskinens funktionsfejl, sørg for, at disse ikke er på grund af manglende vedligeholdelse. Hvis det er nødvendigt, anmode om assistance fra autoriseret personale eller fra VIPER servicecenter.*
- *Hvis maskinen*
 - *ikke fungerer*
 - *er beskadiget*
 - *har vand- eller skumlækager*
 - *har været overladt udendørs udsat for dårlige vejrforhold*
 - *er våd eller været nedsænket i vand*
- *Slå den fra med det samme og kontakte VIPER servicecenter eller en kvalificeret tekniker.*
- *Hvis dele skal udskiftes, kræver originale reservedele fra Viper forhandler eller anden forhandler.*
- *For at sikre maskinens korrekte og sikre drift, planlagt vedligeholdelse er vist i det relevante kapitel i denne manual, skal udføres af de autoriserede personer eller ved VIPER servicecenter.*
- *Læs omhyggeligt alle instruktioner, før du udfører vedligeholdelse/reparation procedure.*
- *Vask ikke maskinen med direkte eller tryk vandstråler eller ætsende stoffer.*
- *Maskinen skal bortskaffes korrekt, på grund af tilstedeværelsen af giftige-skadelige materialer (batterier, elektriske komponenter, osv.), der er underlagt standarder, der kræver bortskaffelse i særlige centre (se kapitlet om Bortskaffelse).*

BESKRIVELSE AF MASKINEN

- Håndtag og udløser
- Trykstøbt aluminiumsdæk
- Foldehåndtag til nem opbevaring
- Sikkerheds låseknop
- Fleksibel pudeholder
- Store baghjul til transport
- Håndtag til kredsløbsafbrydelse

MASKINENS STRUKTUR

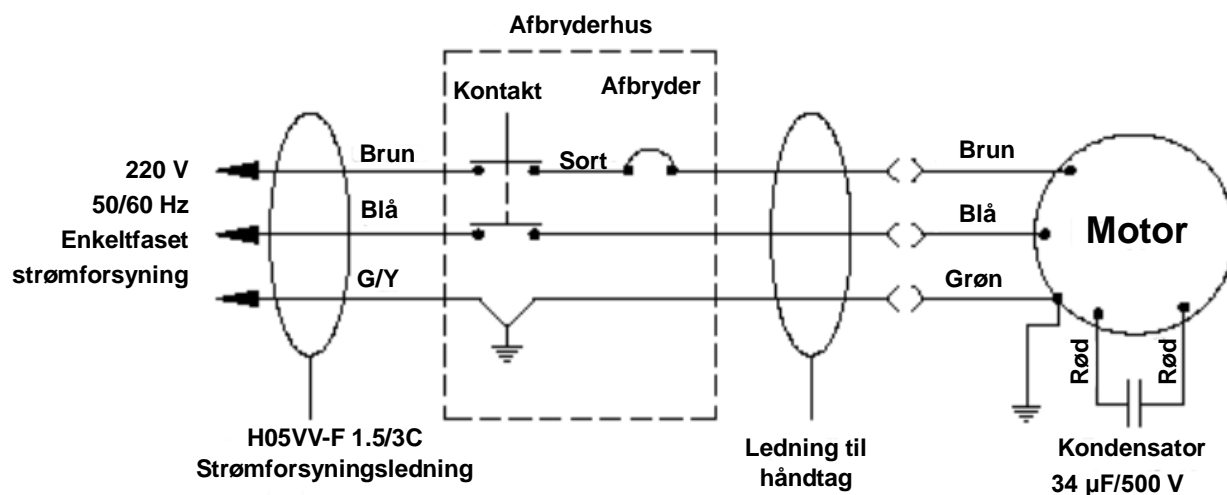
- | | |
|--------------------|-------------------|
| 2. Vurderingsplade | 3. Foldehåndtag |
| 4. Håndtag | 5. Sikkerhedsknap |
| 6. Bumper | 7. Dæk |
| 8. Hjul | |



TEKNISKE DATA

Model	DR1500H-EU
Spænding	220-240 V
Effekt	1100 W
Strøm	6.5 A
Frekvens	50-60 Hz
RPM	1500
Dækstørrelse	20" (51 cm)
Længden på strømledning	15 m
Vægt	39 Kg
Dimensioner	L: 83.8 cm
	B: 53.3 cm
	H: 120.6 cm

LEDNINGSDIAGRAM FOR DR1500H-EU



DRIFT AF ULTRA HØJHASTIGHEDS GULVMASKINE

NORMAL DRIFT

- 11] Fjern eventuelle forhindringer eller andre ting i området, som skal rengøres.
- 12] Anbring håndtaget i lodret position og hældning maskine tilbage, indtil håndtaget hviler på gulvet.

***Sørg for at maskinen ikke er sat i en stikkontakt.**

- 13] Fjern puden med gribeindretningen ved at skruer på fingerskruerne.
- 14] Placer passende poleringspude på pudedrevet og genpåsæt med gribeindretning.
- 15] Anbring maskinen i sin opretstående stilling.
- 16] Sæt ledningen i jordet stikkontakt.

*** Brug ikke en forlængerledning sammen med standard strømledning.**

- 17] Juster håndtagets (afbryderhus) højde til en komfortabel arbejdsstilling.
- 18] For at starte maskinen, skubbe på den røde sikkerhed knappen på toppen af øverste skifte bolig og presse en af switch håndtag.
- 19] Når maskinen er i drift, skal begge hænder placeres på håndtaget (afbryderhus).
- 20] For at stoppe maskinen på noget tidspunkt, skal du blot slippe kontakten håndtaget, og maskinen stopper automatisk.

VEDLIGEHOLDELSE

For at sørge for at maskinen fungerer godt i mange år, skal du følge nedenstående vedligeholdelsesprocedurer.

***Bekræft altid, at maskinen er frakoblet før der udføres vedligeholdelse eller reparationer.**

- 1] Træk maskinens ledning ud af stikkontakt, så snart du ikke bruger den.
- 2] Rengør maskinen udvendigt med et mildt rengøringsmiddel.
- 3] Kontroller ledningen for eventuelle skader. Hvis der registreres eventuelle skader, udskifte ledningen øjeblikkeligt.
- 4] Smør hjul med en resistent smøremiddel vand hver måned.
- 4] Kontroller maskinen for løse eller manglende møtrikker og bolte, og udskift om nødvendigt.
- 5] Hvis maskinen anvendes i støvede omgivelser, kan du fjerne dækslet motor og blæse motoren ren med trykluft. Dette vil give mulighed for god ventilation og hjælpe motoren med at køre køligere.

OPBEVARING

- 1] Tag maskinen ud af stikkontakten.
- 2] Opbevar oprejst i et tørt område.



Smid ikke elektriske apparater i det usorterede husholdningsaffald, brug separate indsamlingsfaciliteter.

INNEHÅLLSFÖRTECKNING

INLEDNING	20
HANDBOKENS SYFTE OCH INNEHÅLL	20
MÅLGRUPP	20
FÖRVARING AV HANDBOKEN	20
FÖRSÄKRAN OM ÖVERENSSTÄMMELSE.....	20
ANDRA REFERENSHANDBÖCKER.....	20
RESERVDELAR OCH UNDERHÅLL	20
FÖRÄNDRINGAR OCH FÖRBÄTTRINGAR.....	21
DRIFT	21
KONVENTIONER	21
UPPACKNING/LEVERANS	21
SÄKERHET	21
SYMBOLER.....	21
ALLMÄNNA ANVISNINGAR.....	22
MASKINBESKRIVNING	24
MASKINENS STRUKTUR.....	24
TEKNISKA DATA	25
KOPPLINGSSCHEMA FÖR DR1500H-EU	26
DRIFT AV HÖGHASTIGHETS GOLVMASKIN	27
GRUNDLÄGGANDE DRIFT.....	27
UNDERHÅLL.....	27
FÖRVARING.....	27

INLEDNING



OBS!

Siffrorna inom parentes hänvisar till de komponenter som visas i avsnittet Maskinbeskrivning.

HANDBOKENS SYFTE OCH INNEHÅLL

Syftet med den här bruksanvisningen är att ge operatören all nödvändig information för att använda maskinen på ett korrekt och säkert sätt. Den innehåller information om tekniska data, säkerhet, drift, lagring, underhåll, reservdelar och avyttring. Innan maskinen används, måste operatörer och kvalificerade tekniker läsa den här bruksanvisningen noga. Kontakta Viper om du har frågor om anvisningarna eller för ytterligare information.

MÅLGRUPP

Denna handbok är avsedd för operatörer och tekniker som är behöriga att utföra maskinunderhåll.

Operatörerna får inte utföra åtgärder som är reserverade för behörig tekniker. Viper kommer inte att ansvara för skador som orsakats från icke-efterlevnad av detta förbud.

FÖRVARING AV HANDBOKEN

Handboken måste förvaras i närheten av maskinen, i en lämplig låda på avstånd från vätskor och andra ämnen som kan orsaka skador på den.

FÖRSÄKRAN OM ÖVERENSSTÄMMELSE

Försäkran om överensstämmelse levereras tillsammans med maskinen och intygar att maskinen överensstämmer med gällande lag.



OBS!

Kopior av den ursprungliga försäkran om överensstämmelse tillhandahålls tillsammans med maskinens dokumentation.

CE-deklarationen är tryckt i snabbstartguiden.

IDENTIFIKATIONSUPPGIFTER

Maskinens modell och serienummer finns på namnskylten (1).

Maskinens årsmodell anges i försäkran om överensstämmelse och den framgår även av de två första siffrorna i maskinens serienummer.

Denna information är användbar när man gör en förfrågan om reservdelar. Använd följande tabell för att skriva ner maskinens identifikationsuppgifter.

MASKINMODELL.....

MASKINENS serienummer.....

ANDRA REFERENSHANDBÖCKER

- Servicehandbok (kan konsulteras på VIPERS servicecenter)
- Lista över reservdelar (se www.vipercleaning.eu)

RESERVDELAR OCH UNDERHÅLL

Drift, underhåll och reparation måste utföras av kvalificerad personal eller av VIPER-servicecenter. Endast original eller godkända reservdelar och tillbehör får användas.

Kontakta VIPER för service eller för att beställa reservdelar och tillbehör, genom att ange maskinmodell och serienummer.

FÖRÄNDRINGAR OCH FÖRBÄTTRINGAR

VIPER förbättrar ständigt sina produkter och förbehåller sig rätten att utföra förändringar och förbättringar efter eget gottfinnande utan att behöva tillämpa sådana fördelar på de maskiner som sålts tidigare.

Eventuella förändringar och/eller ytterligare tillbehör måste godkännas och utföras av VIPER.

DRIFT

Dessa dragon-serie av höghastighetsmaskiner används till torrengöring av fasta golv, vid säkra driftsförhållanden och genom en kvalificerad operatör.

KONVENTIONER

Framåt, bakåt, främre, bakre, vänster eller höger och uppåt betraktas med hänvisning till operatörens läge, det vill säga i handtagets arbetsposition.

UPPACKNING/LEVERANS

Vid uppackning av maskinen, följ noga instruktionerna på förpackningen.

När maskinen levereras, kontrollera att förpackningen och maskinen inte har skadats under transporten. Vid synliga skador, behåll förpackningen och se till att den kontrolleras av transportören som levererade den. Ring transportören omedelbart och gör en skadeanmälan. Kontrollera att maskinen är utrustad med följande:

1. Tekniska dokument:

- Bruksanvisning för DRAGON-SERIENS HÖGHASTIGHETSMASKINER
- Reservdelslista för DRAGON-SERIENS HÖGHASTIGHETSMASKINER

SÄKERHET

Följande symboler anger potentiellt farliga situationer. Läs alltid informationen noggrant och vidta alla nödvändiga försiktighetsåtgärder för att skydda personer och egendom.

Operatörens samarbete är nödvändig för att förhindra personskada. Inget olycksförebyggande program är effektivt utan totalt samarbete av den person som ansvarar för maskinens drift. De flesta olyckor som kan uppstå i en fabrik orsakas av underlåtenhet att följa de enklaste säkerhetsreglerna. En noggrann och aktsam operatör är den bästa garantin mot olycksfall och är en förutsättning för ett framgångsrikt slutförande av olycksförebyggande program.

SYMBOLER



FARA!

Anger en farlig situation med risk för dödsfall för operatören.



VARNING!

Anger en potentiell risk för personskada eller skada på föremål.



FÖRSIKTIGHET!

Anger en anmärkning i samband med viktiga eller användbara funktioner. Var uppmärksam på de stycken som är markerade med denna symbol.



OBS!

Anger att man bör läsa anvisningen i användarhandboken innan man utför några åtgärder.

ALLMÄNNA ANVISNINGAR

Särskilda varningar och försiktighetsåtgärder för att informera om eventuella skador på människor och maskin visas nedan.



FARA!



- **VARNING:** Denna apparat är inte lämplig för att plocka upp farliga föremål.
- **VARNING:** Den här apparaten är endast avsedd för torr användning och inte användas eller förvaras utomhus i våta förhållanden.
- **VARNING:** Använd endast de borstar som medföljer apparaten eller de som anges i bruksanvisningen. Användning av andra borstar kan försämra säkerheten.
- Apparaten är lämplig för kommersiellt bruk, till exempel i hotell, skolor, sjukhus, fabriker, butiker, kontor och uthyrningsföretag.
- Låt inte de roterande borstarna komma i kontakt med elkabeln.
- Den A-viktade ljudnivån LPA i dB(A) < 85 dB (A) avges av apparaten.
- Koppla alltid ur elsladden när maskinen inte används, innan du utför underhållsåtgärder, innan du byter ut borsten/dynhållaren och innan du öppnar någon åtkomstpanel.
- Denna maskin får användas endast av utbildad eller behörig personal. Barn eller funktionshindrade personer får inte använda denna maskin.
- Bär inte smycken när du arbetar nära elektriska komponenter.
- Arbeta inte under upplyft maskin utan att stödja den med säkerhetsstöd.
- Använd inte maskinen i närheten av giftiga, farliga, brandfarliga och/eller explosiva pulver, vätska eller ånga.



VARNING!



- Maskinens elsladd är jordad och även dess kontakt. Vid maskinfel eller haveri, minskar en jordanslutning risken för elstöt.
- Elkabelns kontakt måste anslutas till ett lämpligt uttag som är jordat enligt gällande lag.
- Denna maskin är inte avsedd att användas av personer (inklusive barn) med nedsatt fysisk, sensorisk eller psykisk förmåga, eller bristande erfarenhet och kunskap, såvida de inte har fått handledning eller instruktioner angående användningen av maskinen av en person som ansvarar för deras säkerhet.
- Barn ska hållas under uppsikt så att de inte leker med maskinen.
- Undersök regelbundet elsladden för skador, till exempel sprickor eller utnötning.
- Om elsladden är skadad, måste den bytas ut av tillverkaren, dess serviceagent eller en liknande kvalificerad person för att undvika fara.
- Felaktig anslutning kan orsaka elektriska stötar. Rådgör med en kvalificerad tekniker för att kontrollera att eluttaget är jordat.
- Mixtra inte med nätkabelns kontakt. Om nätkabelns kontakt inte kan anslutas till uttaget, se till att nya jordade uttag installeras av en kvalificerad tekniker, enligt gällande lag.
- Innan du ansluter elsladden till elnätet, kontrollera att den frekvens och spänning som anges på maskinens namnskylt stämmer överens med den elektriska nätspänningen.
- Kontrollera regelbundet elsladden för skador, sprickor, klipp etc. Om elsladden är skadad, byt ut den omedelbart.
- För att undvika risker om elsladden är skadad, kontakta VIPERS serviceverkstad eller en kvalificerad tekniker.
- Dra inte eller bär maskinen via elsladden och använd aldrig elsladden som ett handtag. Stäng inte igen dörren på elsladden eller dra elsladden runt skarpa kanter eller hörn. Kör inte maskinen över elsladden.
- Håll elsladden på avstånd från varma ytor.
- För att minska risken för eld, elektriska stötar eller personskada, lämna inte maskinen utan uppsikt när den är ansluten till elnätet.
- Koppla bort maskinen från elnätet när den inte används och innan du utför underhållsåtgärder.
- För att undvika elektriska stötar, utsätt inte maskinen för regn eller andra dåliga väderförhållanden. Förvara maskinen inomhus, på en torr plats.
- Tillåt inte att den används som en leksak. Särskild uppmärksamhet krävs när den används nära barn.
- Använd den endast på det sätt som visas i denna bruksanvisning. Använd endast tillbehör som rekommenderas av VIPER.
- Vidta alla nödvändiga försiktighetsåtgärder för att förhindra att hår, smycken och löst sittande kläder fastnar i maskinen rörliga delar.
- Lämna inte maskinen utan uppsikt utan att försäkra dig om att den inte kan flyttas av sig själv.
- Använd inte maskinen på sluttande underlag med en lutning som överskrider den som anges i specifikationen.
- Använd inte maskinen i mycket dammiga miljöer.
- När du använder denna maskin, se till att inte orsaka skador på människor eller föremål.
- Stöt inte till hyllor eller ställningar, särskilt när det finns risk för fallande föremål.
- Ställ inte burkar som innehåller vätskor på maskinen.
- Maskinens arbetstemperatur måste ligga mellan 0 °C och + 40 °C.
- Maskinens förvaringstemperatur måste ligga mellan 0 °C och + 40 °C.

- *Fuktigheten måste vara mellan 30 % och 95 %.*
- *Använd inte maskinen som ett transportmedel.*
- *Använd inte maskinen på sluttande underlag med en lutning som överskrider den som anges i specifikationen.*
- *För att undvika skador på golvet, låt inte borsten/dynan vara i drift medan maskinen står stilla.*
- *Vid brand, använd en pulverbrandsläckare.*
- *Mixtra inte med maskinens skyddsanordningar och följ noggrant vanliga underhållsinstruktioner.*
- *Låt inte några föremål komma in i öppningarna. Använd inte maskinen om öppningarna är igentäppta. Se alltid till att öppningarna inte innehåller damm, hår och annat främmande material som kan minska luftflödet.*
- *Ta inte bort eller ändra maskinens märkesskyltar.*
- *Om maskinen används enligt instruktionerna, är vibrationer inte farliga. Maskinens vibrationsnivå är mindre än 2,5 m/s² (98/37/EEG-EN 1033/1995).*
- *Denna maskin får inte användas på vägar eller allmänna gator.*
- *Var försiktig om maskinen transporteras när temperaturen ligger under fryspunkten. Vattnet i återvinningstanken och i slangarna kan frysa och orsaka allvarlig skada på maskinen.*
- *Använd de borstar och dynor som levereras med maskinen eller anges i handboken. Användning av andra borstar eller dynor kan minska säkerheten.*
- *Vid maskinfel, kontrollera att det inte beror på bristande underhåll. Vid behov, begär hjälp från auktoriserad personal eller från ett VIPER-servicecenter.*
- *Om maskinen*
 - *inte fungerar korrekt*
 - *är skadad*
 - *läcker vatten eller skum*
 - *har lämnats utomhus och utsatts för dåligt väder*
 - *är blöt eller har tappats in vatten*
- *stäng av den omedelbart och kontakta VIPER-servicecenter eller en kvalificerad tekniker.*
- *Om delar måste bytas ut, förfråga ORIGINALreservdelar från VIPERS återförsäljare eller återförsäljare.*
- *För att säkerställa en korrekt och säker maskindrift, måste det schemalagda underhållet som visas i motsvarande avsnitt i denna handbok utföras av behörig personal eller en VIPER-serviceverkstad.*
- *Läs noga igenom alla instruktioner innan du utför underhåll/reparation.*
- *Tvätta inte maskinen med direkt eller trycksatt vattenstråle eller med frätande ämnen.*
- *Maskinen måste bortskaffas på ett korrekt sätt p.g.a. förekomsten av skadliga material (batterier etc.), som omfattas av standarder och måste återvinnas på särskilda centra (se avsnittet Skrotning).*

MASKINBESKRIVNING

- Frilösningshandtag monterat på handtaget
- Gjutet aluminiumdäck
- Fällbara handtag för enkel förvaring
- Säkerhetsbrytare
- Flexibel dynhållare
- Stora bakre transporthjul
- Krets brytare monterade på handtaget

MASKINENS STRUKTUR

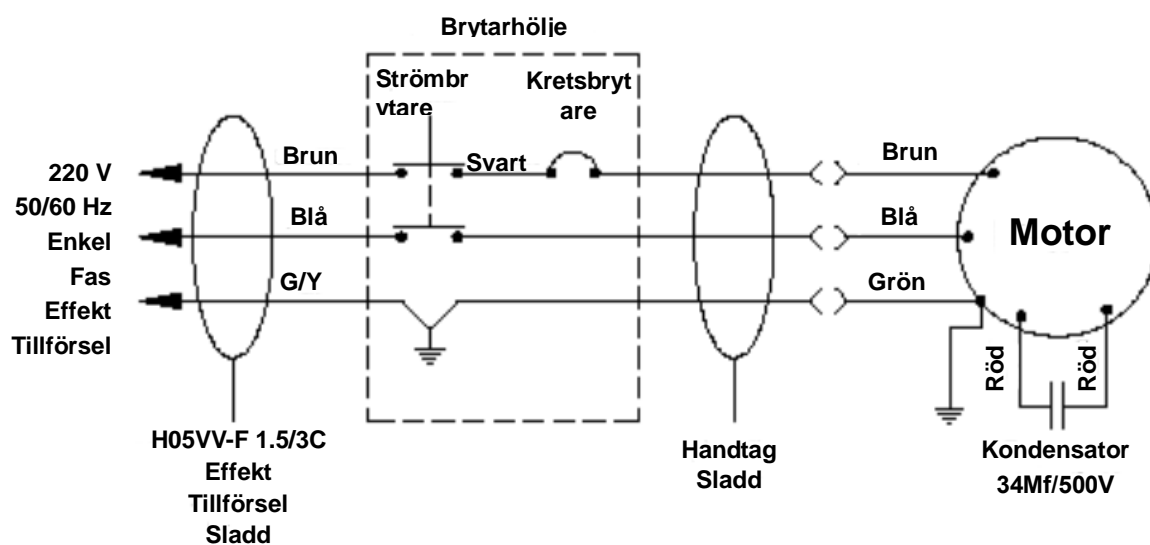
- | | |
|----------------|---------------------|
| 3. Typskylt | 4. Fällbart handtag |
| 5. Handtag | 6. Säkerhetsbrytare |
| 7. Stötfångare | 8. Däck |
| 9. Hjul | |



TEKNISKA DATA

Modell	DR1500H-EU
Spänning	220-240 V
Effekt	1100 W
Ström	6,5 A
Frekvens	50-60 Hz
RPM	1500
Däckstorlek	20" (51 cm)
Längd på nätsladden	15 m
Vikt	39 kg
Storlek	L: 83,8 cm
	B: 53,3 cm
	H: 120,6 cm

KOPPLINGSSCHEMA FÖR DR1500H-EU



DRIFT AV HÖGHASTIGHETS GOLVMASKIN

GRUNDLÄGGANDE DRIFT

- 21] Ta bort eventuella hinder eller andra hinder i det område som ska rengöras.
- 22] Placera handtaget i upprätt ställning och dra maskinen bakåt tills handtaget vilar på golvet.

***Se till att maskinen inte är ansluten till elnätet.**

- 23] Ta bort dynfästet genom att skruva loss tumskruvarna.
- 24] Placera en lämplig poleringsdyna på dynhållaren och skruva fast den igen.
- 25] Placera maskinen tillbaka i upprätt läge.
- 26] Anslut nätsladden till ett jordat uttag.

*** Använd inte en förlängningssladd tillsammans med standardnätsladden.**

- 27] Justera handtaget (knapphölje) till en bekväm inställning.
- 28] Starta maskinen, tryck på den röda säkerhetsknappen högst upp på knapphöljet och tryck in båda spakarna.
- 29] När maskinen är i drift, ska båda händerna placeras på handtaget (knapphölje).
- 30] För att stoppa maskinen släpp helt enkelt spakarna och maskinen stannar automatiskt.

UNDERHÅLL

För att se till att maskinen fungerar bra i många år, följ följande underhållsprocedurer.

***Se alltid till att maskinen är frånkopplad innan du utför underhåll eller reparationer.**

- 1] Koppla ur maskinen när du inte använder den.
- 2] Rengör maskinens utsida med ett mildt rengöringsmedel.
- 3] Kontrollera elsladden för eventuella skador. Om skador upptäcks, byt ut sladden omedelbart.
- 4] Smörj hjulen med ett vattenbeständigt smörjmedel en gång i månaden.
- 5] Kontrollera maskinen för lösa eller saknade skruvar och muttrar och byt ut vid behov.
- 6] Om maskinen används i en dammig miljö, kan du ta bort motorkåpan och rengöra motorn med tryckluft. Detta kommer att möjliggöra en bra ventilation och hjälpa motorn att köras svalare.

FÖRVARING

- 1] Koppla bort maskinen från strömkällan.
- 2] Lagra i upprätt läge i ett torrt område.



Kasta inte elektriska apparater som osorterat kommunalt avfall, använd separata avfallshanteringsanläggningar.

INNHold

INNLEDNING	29
FORMÅL OG INNHold	29
MÅLGRUPPE.....	29
OPPBEVARING AV HÅNDBOKEN	29
SAMSVARSERKLÆRING	29
ANNET REFERANSEMATERIALE.....	29
RESERVEDELER OG VEDLIKEHOLD.....	29
ENDRINGER OG FORBEDRINGER.....	30
BRUKSOMRÅDE.....	30
KONVENSJONER	30
UTPAKKING/LEVERING.....	30
SIKKERHET	30
SYMBOLER.....	30
GENERELLE INSTRUKSJONER	31
MASKINBESKRIVELSE.....	33
MASKINSTRUKTUR	33
TEKNISKE DATA.....	34
Koblingsskjema for DR1500H-EU.....	35
BRUK AV HØYHASTIGHETS GULVPOLERINGSMASKIN	36
GRUNNLEGGENDE BRUK	36
VEDLIKEHOLD	36
LAGRING.....	36

INNLEDNING



MERK

Tallene i parentes viser til komponentene som er vist under "Maskinbeskrivelse".

FORMÅL OG INNHOLD

Formålet med denne håndboken er å gi den som bruker maskinen nødvendig informasjon om bruk og sikkerhet. Den inneholder informasjon om tekniske data, sikkerhet, drift, lagring, vedlikehold, reservedeler og hvordan den skal avhendes etter endt levetid. Før operatører eller teknisk personell tar i bruk eller utfører arbeid på maskinen, må de lese nøye gjennom denne håndboken. Ta kontakt med Viper dersom du ikke forstår noen av instruksene i håndboken, eller dersom du ønsker ytterligere informasjon.

MÅLGRUPPE

Denne håndboken er ment for operatører og teknisk personell som er kvalifisert til å utføre vedlikehold på maskinen. Operatører må ikke utføre arbeid som er forbeholdt kvalifisert teknisk personell. Viper vil ikke påta seg noe ansvar for skader som følge av at dette punktet ikke er overholdt.

OPPBEVARING AV HÅNDBOKEN

Håndboken må oppbevares i nærheten av maskinen i en egnet mappe, borte fra væsker og andre stoffer som kan føre til at den blir ødelagt.

SAMSVARERKLÆRING

Samsvarserklæringen leveres med maskinen og bekrefter at maskinen samsvarer med gjeldende lover og forskrifter.



MERK

Det leveres to kopier av den originale samsvarserklæringen sammen med dokumentasjonen for maskinen. CE-erklæringen finnes i hurtigstartveiledningen.

IDENTIFIKASJONSDATA

Maskinmodell og serienummer er merket på typeskiltet (1).

Produksjonsåret for maskinen er oppgitt i samsvarserklæringen, og det kan også ses av de to første tallene i serienummeret på maskinen.

Denne informasjonen er nyttig ved bestilling av reservedeler. Noter ned maskinens identifikasjonsdata i tabellen nedenfor.

MASKINMODELL.....
MASKIN serienummer.....

ANNET REFERANSEMATERIALE

- Servicehåndbok (kan konsulteres hos Viper servicesentre)
- Deleliste (se www.vipercleaning.eu)

RESERVEDELER OG VEDLIKEHOLD

All bruk, vedlikehold og reparasjoner må utføres av kvalifisert servicepersonell, eller ved et Viper servicesenter. Det skal kun brukes originale reservedeler og tilbehør.

Ta kontakt med Viper for service eller for bestilling av reservedeler og tilbehør, og oppgi maskinens modell og serienummer ved bestilling.

ENDRINGER OG FORBEDRINGER

Produktene fra Viper er i kontinuerlig forbedring, og vi forbeholder oss således retten til å foreta endringer og forbedringer, uten at vi er forpliktet til å gjøre det samme med maskiner som er solgt tidligere.

Skift av tilbehør eller montering av nytt tilbehør skal godkjennes og utføres av Viper.

BRUKSOMRÅDE

Denne serien høyhastighets poleringsmaskiner brukes til rengjøring av harde gulv, i trygge driftsforhold av en kvalifisert operatør.

KONVENSJONER

Fremover, bakover, front, bak, venstre eller høyre og opp er oppgitt med referanse til operatørens arbeidsstilling med hendene på håndtaket.

UTPAKKING/LEVERING

Følg nøye instruksjonene på emballasjen ved utpakking av maskinen.

Når maskinen leveres, sjekk at emballasjen og maskinen ikke er utsatt for transportskader. Dersom det oppdages synlige skader, ta vare på emballasjen og få den undersøkt av transportøren som leverte maskinen. Ta umiddelbart kontakt med transportøren for å fylle ut et klageskjema. Sjekk at følgende elementer følger med maskinen:

1. Teknisk dokumentasjon:

- Brukerhåndbok for Dragon gulvpoleringsmaskin
- Deleliste for reservedeler til Dragon gulvpoleringsmaskin

SIKKERHET

Følgende symboler indikerer potensielt farlige situasjoner. Les alltid nøye gjennom denne informasjonen, og ta alle nødvendige forholdsregler for å beskytte personell og materiell.

Operatørens må overholde alle sikkerhetsanvisninger for å forebygge skader. Et ulykkesforebyggende program vil ikke være effektivt uten at den som er ansvarlig for maskindriften samarbeider fullt ut. De fleste av ulykkene som kan oppstå på en fabrikk ved arbeid eller bevegelser på området, er forårsaket av manglende overholdelse av de enkleste reglene for god sikkerhet. En forsiktig og forsvarlig operatør er den beste garantien mot ulykker, og er avgjørende for at et ulykkesforebyggende program skal være effektivt.

SYMBOLER



FARE!

Indikerer en farlig situasjon som kan føre til dødsfall for operatøren.



ADVARSEL!

Indikerer en potensiell fare som kan føre til personskade eller materiell skade.



FORSIKTIG!

Indikerer en forsiktighetsmerknad knyttet til viktige eller nyttige funksjoner. Vær spesielt oppmerksom på punktene som er merket med dette symbolet.



MERK

Indikerer at det henvises til brukerhåndboken før det utføres noen prosedyre.

GENERELLE INSTRUKSJONER

Nedenfor er det beskrevet spesifikke advarsler og forsiktighetsregler for å informere om potensielle skader på personer og maskin.



FARE!



- **FORSIKTIG:** Denne maskinen er ikke egnet for å plukke opp farlige elementer.
- **FORSIKTIG:** Denne maskinen brukes for tørrengjøring, og skal ikke brukes eller lagres utendørs eller i våte omgivelser.
- **ADVARSEL:** Bruk bare børstene som følger med maskinen, eller som er spesifisert i brukerhåndboken. Bruk av andre børster kan svekke sikkerheten.
- Denne maskinen er egnet for kommersiell bruk, for eksempel på hoteller, skoler, sykehus, fabrikker, butikker, kontorer og i utleielokaler.
- Ikke la en roterende børste komme i kontakt med strømledningen.
- A-veid lydtryknivå LPA i dB (A) for maskinen er < 85 dB (A).
- Trekk alltid ut strømledningen når maskinen ikke er i bruk, når det skal gjøres vedlikehold, ved bytting av børste/pad-holder, og før deksler eller paneler åpnes.
- Denne maskinen skal kun brukes av behørig kvalifisert og autorisert personell. Maskinen skal ikke brukes av barn eller funksjonshemmede personer.
- Du må ikke være iført smykker ved arbeid i nærheten av elektriske komponenter.
- Ikke arbeid under en hevet maskin uten at den er støttet av bukker.
- Ikke bruk maskinen i nærheten av giftige, farlige, brennbare og/eller eksplosive pulver, væsker eller damp.



ADVARSEL!



- Strømledningen og støpselet er jordet. Dersom det oppstår feil på maskinen, reduserer jordingsforbindelsen risikoen for elektrisk støt.
- Strømledningen må kobles til en egnet stikkontakt som er forskriftsmessig jordet.
- Apparatet er ikke beregnet for bruk av personer (inkludert barn) med redusert fysiske, sensoriske eller mentale evner eller mangel på erfaring og kunnskap, med mindre de er gitt tilsyn eller opplæring i bruk av apparatet av en person med ansvar for deres sikkerhet.
- Barn skal holdes under oppsyn slik at de ikke leker med apparatet.
- Sjekk strømledningen jevnlig for skader, som sprekker eller slitasje.
- Hvis strømledningen er skadet, må den skiftes av produsenten, en servicepartner eller tilsvarende kvalifiserte personer, for å unngå fare.
- Feilkobling kan føre til elektrisk støt. Bruk en kvalifisert tekniker for å sjekke at stikkontakten er korrekt jordet.
- Strømledningen og støpselet må ikke modifiseres. Hvis støpselet på strømledningen ikke passer i stikkontakten, må det installeres en ny jordet stikkontakt av en kvalifisert tekniker, i henhold til gjeldende forskrifter.
- Før strømledningen kobles til strømmettet, må det sjekkes at frekvens og spenning som er angitt på typeskiltet på maskinen, samsvarer med verdiene for strømmettet.
- Sjekk strømledningen jevnlig for skader, sprekker, kutt, etc. Hvis strømledningen er skadet, må den skiftes umiddelbart.
- For å unngå all risiko og fare, må du ta kontakt med et Viper servicesenter eller en kvalifisert tekniker dersom strømledningen er skadet.
- Ikke trekk eller bær maskinen etter strømledningen, og bruk aldri strømledningen som håndtak. Ikke lukk dører over strømledningen, og ikke legg strømledningen rundt skarpe kanter eller hjørner. Ikke kjør maskinen over strømledningen.
- Hold strømledningen borte fra varme overflater.
- For å redusere risikoen for brann, elektrisk støt eller annen skade, må du ikke la maskinen stå uten tilsyn når den er koblet til strøm.
- Koble maskinen fra strømmen når den ikke er i bruk og når det skal gjøres vedlikehold på den.
- For å unngå elektrisk støt, må maskinen ikke utsettes for regn eller andre dårlige værforhold. Oppbevar maskinen innendørs på et tørt sted.
- Maskinen skal ikke brukes som et leketøy. Vær ekstra årvåken når maskinen brukes i nærheten av barn.
- Maskinen skal kun brukes som beskrevet i brukerhåndboken. Bruk bare tilbehør som anbefales av Viper.
- Ta alle nødvendige forholdsregler for å hindre at hår, smykker og løstsittende klær kan hekte seg inn i bevegelige deler på maskinen.
- Ikke la maskinen stå uten tilsyn uten, for å sikre at den ikke kan bevege seg utilsiktet.
- Ikke bruk maskinen i helling som overskrider spesifisert tillatt stigningsgrad.
- Ikke bruk maskinen i svært støvete omgivelser.
- Utvis forsiktighet ved bruk av maskinen, slik at det ikke oppstår personskader eller materielle skader.
- Ikke la maskinen støte mot på hyller eller stillas, spesielt når det er fare for fallende gjenstander.
- Ikke sett noe på maskinen som inneholder væske.
- Omgivelsestemperaturen ved bruk av maskinen må være mellom 0 °C og +40 °C.
- Omgivelsestemperaturen ved lagring av maskinen må være mellom 0 °C og +40 °C.

- *Luftfuktigheten må være mellom 30% og 95%.*
- *Ikke bruk maskinen som et transportmiddel.*
- *Ikke bruk maskinen i hellinger som overskrider spesifisert tillatt stigningsgrad.*
- *Ikke la børste/pad rotere når maskinen står i ro, dette kan føres til skader på gulvet.*
- *I tilfelle brann må det brukes pulverapparat, og ikke vann.*
- *Sikkerhetsanordninger på maskinen må ikke modifiseres/deaktiveres. Følg nøye vedlikeholdsinstruksene som er beskrevet.*
- *Ikke la det komme væske inn i noen av åpningene. Ikke bruk maskinen hvis noen av åpningene er blokkert. Hold alltid åpningene fri for støv, hår og alle andre fremmedlegemer som kan hindre luftstrømmen.*
- *Ikke fjern eller modifiser platene på maskinen.*
- *Hvis maskinen brukes i henhold til instruksjonene, er vibrasjoner fra maskinen ikke farlig. Vibrasjonsnivået er mindre enn 2,5 m/s² (98/37/EØF-EN 1033/1995).*
- *Denne maskinen må ikke brukes på vei eller i offentlige gater.*
- *Vær forsiktig ved transport av maskinen når temperaturen er under frysepunktet. Vannet i oppsamlingstanken og i slangene kan fryse, og således føre til alvorlig skade på maskinen.*
- *Bruk børster og pads som følger med maskinen eller som er definert i håndboken. Bruk av andre børster eller pads kan redusere sikkerheten.*
- *Ved maskinfeil må det sjekkes at feilen ikke har oppstått på grunn av manglende vedlikehold. Om nødvendig kan du be om hjelp fra autorisert personell eller et autorisert Viper servicesenter.*
- *Hvis maskinen*
 - *ikke virker som den skal*
 - *er skadet*
 - *lekker vann eller skum*
 - *har stått utendørs i dårlige værforhold*
 - *er våt eller har falt i vannet*
- *slå den av umiddelbart og kontakt et Viper servicesenter eller en kvalifisert tekniker.*
- *Hvis det skal byttes ut deler, må det bestilles originale reservedeler fra en autorisert Viper forhandler eller verksted.*
- *For å sikre en sikker og forsvarlig drift av maskinen, må det utføres planlagt vedlikehold som beskrevet i de ulike kapitlene i denne håndboken, av enten autorisert Viper servicepersonell eller et autorisert servicesenter.*
- *Les alle instruksjonene nøye før du utfører noen form for vedlikehold/reparasjoner.*
- *Ikke vask maskinen med direkte stråle eller høytrykksspyler, eller etsende stoffer.*
- *Maskinen må avhendes forsvarlig, da det finnes giftige/skadelige materialer (batterier, elektriske komponenter, etc.) som er underlagt forskrifter som krever avhending på spesialmottak (se kapittelet "Avhending").*

MASKINBESKRIVELSE

- Utløserhendler på håndtaket
- Dekk i støpt aluminium
- Sammenleggbart styrehåndtak for enkel oppbevaring
- Sikkerhetsknapp
- Fleksibelt pad-drev
- Store transporthjul bak
- Kretsbyter på håndtak

MASKINSTRUKTUR

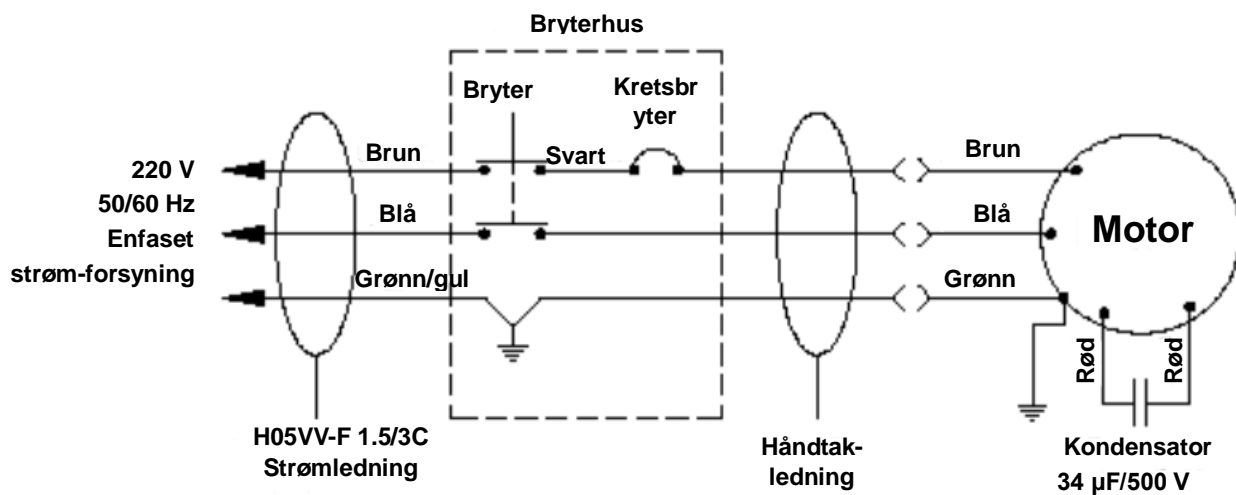
- | | |
|---------------|---------------------------|
| 4. Typeskilt | 5. Sammenleggbart håndtak |
| 6. Håndgrep | 7. Sikkerhetsknapp |
| 8. Støtfanger | 9. Dekk |
| 10. Hjul | |



TEKNISKE DATA

Modell	DR1500H-EU
Spenning	220-240 V
Effekt	1100 W
Strøm	6,5 A
Frekvens	50-60 Hz
O/MIN	1500
Dekkstørrelse	20" (51 cm)
Lengde på strømledning	15 meter
Vekt	39 Kg
Dimensjoner	L: 83,8 cm
	B: 53,3 cm
	H: 120,6 cm

Koblingsskjema for DR1500H-EU



BRUK AV HØYHASTIGHETS GULVPOLERINGSMASKIN

GRUNNLEGGENDE BRUK

- 31] Fjern eventuelle hindringer eller gjenstander i området som skal rengjøres.
- 32] Sett håndtaket i oppreist stilling og vipp maskinen bakover til håndtaket hviler på gulvet.

***Sørg for at maskinen ikke er koblet til strøm.**

- 33] Fjern pad-festet ved å skru ut vingskruene.
- 34] Sett en egnet poleringspad på pad-drevet og sett på plass festet.
- 35] Sett maskinen tilbake i oppreist posisjon.
- 36] Koble strømledningen til en jordet stikkontakt.

***Ikke bruk forlengelsesledning sammen med standard strømledning.**

- 37] Juster høyden på håndtaket (bryterhuset) til en komfortabel arbeidsstilling.
- 38] For å starte maskinen, trykk på den røde sikkerhetsknappen på toppen av bryterhuset og trykk inn en av hendlene.
- 39] Når maskinen er i drift, bør du plassere begge hendene på håndtaket (bryterhuset).
- 40] For å stoppe maskinen slipper du hendlene, og maskinen stopper automatisk.

VEDLIKEHOLD

For å holde maskinen i god stand i lang tid fremover, bør du følge følgende vedlikeholdsprosedyrer.

***Sjekk alltid at maskinen er koblet fra strøm før det foretas vedlikehold eller reparasjoner.**

- 1] Trekk ut strømledningen fra stikkontakten når arbeidet er ferdig.
- 2] Rengjør maskinen utvendig med et mildt rengjøringsmiddel.
- 3] Sjekk strømledningen for skader. Skift strømledningen hvis den er skadet.
- 4] Smør hjulene med et vannbestandig smøremiddel én gang i måneden.
- 5] Sjekk maskinen for løse eller manglende skruer og muttere, og erstatt om nødvendig.
- 6] Hvis maskinen brukes i støvete omgivelser, kan du ta av motordekselet og blåse motoren ren med trykkluft. Dette vil sikre tilstrekkelig ventilasjon, og god kjøling av motoren.

LAGRING

- 1] Koble maskinen fra strøm.
- 2] Maskinen må lagres i oppreist stilling på et tørt sted.



Ikke kast elektrisk apparater som usortert restavfall. Bruk egne innsamlingspunkter som tar i mot slikt avfall.

SISÄLLYSLUETTELO

JOHDANTO	38
OHJEEN SISÄLTÖ JA TARKOITUS	38
KENELLE OPAS ON TARKOITETTU	38
TÄMÄN OPPAAN SÄILYTTÄMINEN	38
VAATIMUSTENMUKAISUUSVAKUUTUS.....	38
LAITTEEN MUUT KÄYTTÖOHJEET	38
VARAOSAT JA HUOLTO	38
MUUTOKSET JA PARANNUKSET	39
KÄYTTÖOMINAISUUDET	39
MÄÄRITELMÄT	39
LAITEPAKKAUKSEN PURKAMINEN/KULJETUS	39
TURVALLISUUS	39
SYMBOLIT.....	39
YLEISET OHJEET	40
LAITTEEN KUVAUS	42
LAITTEEN OSAT JA RAKENNE	42
TEKNISET TIEDOT	43
KYTKENTÄKAAVIO - DR1500H-EU	44
ULTRA HIGH SPEED -LATTIANHOITOKONEEN KÄYTTÖ	45
TAVANOMAINEN KÄYTTÖ	45
HUOLTO	45
SÄILYTTÄMINEN	45

JOHDANTO



HUOMAUTUS

Sulkeissa olevat luvut viittaavat osiin, jotka on esitelty kohdassa Laitteen kuvaus

OHJEEN SISÄLTÖ JA TARKOITUS

Tämän käyttöoppaan tarkoituksena on tarjota käyttäjälle riittävät tiedot laitteen asianmukaista ja turvallista käyttöä varten. Opas sisältää laitteen tekniset tiedot sekä laitteen käyttöä, turvallisuutta, säilytystä, huoltoa, varaosia ja hävittämistä koskevat ohjeet. Kaikkien laitetta käyttävien ja huoltavien henkilöiden on luettava laitteen käyttöopas huolellisesti ennen laitteen käsittelyä. Laitetta saavat huoltaa ja korjata vain asianmukaisen koulutuksen saaneet henkilöt. Ota yhteyttä valtuutettuun VIPER-jälleenmyyjään tai -huoltoliikkeeseen, mikäli et ole varma ohjeiden sisällöstä tai jos haluat laitetta koskevia lisätietoja.

KENELLE OPAS ON TARKOITETTU

Tämä opas on tarkoitettu laitteen käyttäjille ja laitetta huoltavalle, asianmukaisen koulutuksen saaneelle huoltohenkilöstölle.

Laitetta käyttävän henkilön ei tule suorittaa sellaisia huoltotoimintoja, joihin hänellä ei ole asianmukaista koulutusta. VIPER ei vastaa mistään sellaisista vahingoista, jotka ovat aiheutuneet edellä mainitun kiellon noudattamatta jättämisestä.

TÄMÄN OPPAAN SÄILYTTÄMINEN

Säilytä tätä opasta laitteen välittömässä läheisyydessä ja asianmukaisesti suojattuna. Pidä opas etäällä nesteistä ja muista aineista, jotka saattaisivat vahingoittaa sitä.

Vaatumustenmukaisuusvakuutus

Laitteen mukana toimitetaan vaatimustenmukaisuusvakuutus, joka toimii vakuutena siitä, että laite on voimassa olevan lainsäädännön mukainen.



HUOMAUTUS

Laitteen mukana toimitettaviin asiakirjoihin sisältyy kaksi kopiota laitteen alkuperäisestä vaatimustenmukaisuusvakuutuksesta.

Laitteen CE-merkintä on painettu mukana toimitettavaan Pikaoppaaseen.

LAITTEEN TUNNISTETIEDOT

Laitteen malli- ja sarjanumero on merkitty laitteessa olevaan merkintäkilpeen (1).

Laitteen valmistusvuosi on kirjattu vaatimustenmukaisuusvakuutukseen, minkä lisäksi se muodostaa sarjanumeron kaksi ensimmäistä numeroa.

Tarvitset näitä numeroita hankkiessasi laitteeseen varaosia. Kirjoita laitteen malli- ja sarjanumero alla oleviin kenttiin, jotta saat ne tarvittaessa käyttöösi nopeasti.

KONEEN malli.....

KONEEN sarjanumero.....

Laitteen muut käyttöohjeet

- Huolto-opas (saatavilla valtuutetusta VIPER-huoltoliikkeestä)
- Varaosalista (ks. www.vipercleaning.eu)

Varaosat ja huolto

Laitetta saavat korjata ja huoltaa ainoastaan asianmukaisen koulutuksen saaneet henkilöt tai valtuutetut VIPER-huoltoliikkeet. Laitteessa tulee käyttää ainoastaan alkuperäisiä varaosia ja varusteita.

Ota yhteyttä VIPER-jälleenmyyjään varaosien ja varusteiden tilaamista varten. Varaudu ilmoittamaan laitteesi malli- ja sarjanumero.

MUUTOKSET JA PARANNUKSET

VIPER kehittää tuotteitaan jatkuvasti, ja varaamme oikeuden parantaa tai muuttaa tuotteitamme ilman erillistä ilmoitusta ja ilman velvollisuutta toteuttaa muutoksia tai parannuksia aiemmin myytyihin laitteisiin.

VIPER varaa itselleen yksinoikeuden tehdä laitteisiin muutoksia ja/tai kytkeä niihin lisävarusteita.

KÄYTTÖOMINAISUUDET

Nämä huippunopeat Dragon-sarjan laitteet on suunniteltu kovapintaisten lattioiden kuivapuhdistukseen. Puhdistustyö tulee suorittaa turvallisissa käyttöolosuhteissa ja siihen saavat ryhtyä ainoastaan asianmukaisen koulutuksen saaneet henkilöt.

MÄÄRITELMÄT

Tässä oppaassa sanojen eteenpäin, taaksepäin, laitteen etuosa, laitteen takaosa, vasen ja oikea lähtöpiste/näkökulma on laitteen käyttäjän asianmukainen sijainti, ts. laitteen takana, kädet laitteen ohjaimilla.

LAITEPAKKAUKSEN PURKAMINEN/KULJETUS

Pura laitteen pakkaus pakkausmateriaaleissa ilmoitettujen ohjeiden mukaisesti.

Kun vastaanotat laitteen, varmista, että laitepakkaus ja laite ovat ehjiä. Mikäli näet vaurioita, ilmoita niistä välittömästi laitteen kuljetuksesta vastanneelle taholle. Mikäli tarpeen, ota välittömästi yhteyttä laitteen kuljettaneeseen tahoon puhelimitse vahinkoilmoituksen tekoa varten. Varmista, että lähetys sisältää seuraavat osat:

1. Tekniset asiakirjat:

- DRAGON SERIES ULTRA HIGH SPEED -laitteen käyttöopas
- DRAGON SERIES ULTRA HIGH SPEED -laitteen varaosalista

TURVALLISUUS

Seuraavat symbolit ilmoittavat tilanteista, jotka saattavat aiheuttaa vaaran. Lue nämä tiedot huolellisesti, ja varmista, että olet tehnyt kaikki sellaiset toimet, jotka ovat välttämättömiä henkilövahinkojen ja aineellisten vahinkojen välttämiseksi. Laitteen käyttäjän on tutustuttava ohjeisiin ja noudatettava niitä tarkkaan vammojen ja vaurioiden välttämiseksi. Mitkään onnettomuuksien ehkäisyyn tähtäävät toimet eivät ole tehokkaita, ellei laitteen käytöstä vastuussa oleva henkilö tunne niitä ja sitoudu noudattamaan niitä täydellisesti. Suurin osa tuotantolaitoksissa ja vastaavissa tiloissa työnteon tai siirtymisen aikana sattuvista onnettomuuksista on seurausta siitä, että yksinkertaisia turvaohjeita ei ole noudatettu. Huolellisesti ja varoen tapahtuva käyttö ehkäisee onnettomuuksia kaikkein tehokkaimmin, ja se on kaikkien työturvallisuusohjelmien ehdoton kulmakivi.

SYMBOLIT



VAARA !

Uhkaava vaaratilanne, joka voi aiheuttaa käyttäjälle kuolemanvaaran.



VAROITUS!

Ilmoittaa henkilöihin ja esineisiin kohdistuvien vahinkojen riskistä.



HUOMIO!

Ilmoittaa huomautuksesta joka liittyy laitteen tärkeimpiin toimintoihin. Kiinnitä erityistä huomiota tällä merkinnällä varustettuihin teksteihin.



HUOMAUTUS

Tämä merkintä ilmoittaa tilanteista, joissa käyttäjän on syytä tarkistaa asianmukainen kohta laitteen käyttöoppaasta ennen toimenpiteen suorittamista.

YLEISET OHJEET

Ihmiin ja laitteeseen mahdollisesti aiheutuvia vahinkoja koskevat erityiset varoitukset ja huomautukset on esitetty alla.



VAARA !



- HUOMIO: Tämä laite ei sovellu vaarallisten aineiden puhdistamiseen.
- HUOMIO: Tämä laite soveltuu vain kuivien pintojen puhdistamiseen, eikä sitä tule käyttää tai varastoida kosteissa ulkotiloissa.
- VAROITUS: Käytä vain laitteen mukana toimitettuja tai käyttöoppaassa ilmoitettuja harjaosia. Muiden harjaosien käyttö saattaa aiheuttaa vaaran.
- Laite soveltuu kaupalliseen käyttöön esimerkiksi hotelleissa, kouluissa, sairaaloissa, tehtaissa, myymälöissä, toimistoissa ja vuokraamoissa.
- Pidä laitteen pyörivät harjat etäällä laitteen virtajohdosta.
- Laitteen A-painotettu äänen painetaso (LpA) dB(A) ympäristöön: < 85 dB (A).
- Irrota laitteen virtajohto aina, kun laitetta ei käytetä, ennen laitteen huoltamista, ennen harja-/laikkapään vaihtamista ja ennen laitteen suojakansien avaamista.
- Laitetta saavat käyttää ainoastaan sellaiset henkilöt, joilla on käyttöön vaadittavat luvat ja asianmukainen koulutus. Lapset tai henkilöt joiden on fyysinen toimintakyky rajoittunut eivät saa käyttää tätä laitetta.
- Älä käytä koruja, kun työskentelet sähköisten komponenttien läheisyydessä.
- Jos työskentelet laitteen alla, varmista, että laite on asetettu turvatukien varaan.
- Älä käytä laitetta minkään myrkyllisten, vaarallisten, tulenarkojen ja/tai räjähdysherkkien pölyjen, nesteiden tai kaasujen läheisyydessä.



VAROITUS!



- Laitteen virtajohto ja pistoke ovat maadoitettuja. Laiterikon tai -vahingon tapahtuessa maadoitetut liitännät vähentävät sähköiskun vaaraa.
- Laitteen virtajohto on kytkettävä asianmukaiseen, voimassa olevan lainsäädännön mukaisesti maadoitettuun pistorasiaan.
- Henkilö (mukaan lukien lapsi) jonka fyysinen, henkinen tai aisteihin liittyvä suorituskyky on rajoittunut ja sellainen henkilö jonka käyttötiedot ja -kokemus on rajallinen saa käyttää laitetta vain, mikäli käyttöä ohjaa ja valvoo kyseisen henkilöön turvallisuudesta vastuussa oleva henkilö.
- Älä anna lasten leikkiä laitteella.
- Tarkista laitteen virtajohto säännöllisesti vaurioiden, kuten halkeamien tai kulumien, varalta.
- Mikäli virtajohto on vaurioitunut, se tulee vaihtaa. Turvallisuussyistä virtajohdon saa vaihtaa ainoastaan laitteen valmistaja, valmistajan valtuuttama huoltoliike tai kyseiseen tehtävään asianmukaisen koulutuksen saanut henkilö.
- Väärin kytketty virtajohto saattaa aiheuttaa sähköiskun. Pyydä sähköalan ammattilaista varmistamaan, että käyttämäsi pistorasia on maadoitettu asianmukaisella tavalla.
- Älä tee mitään muutoksia virtajohdon pistokkeeseen. Mikäli pistoke ei sovi käytettävissä olevaan pistorasiaan, pyydä sähköalan ammattilaista asentamaan tilaan asianmukaisesti ja voimassa olevan lainsäädännön mukaan maadoitettu pistorasia.
- Ennen kuin kytket laitteen pistorasiaan, varmista, että pistorasiaan tulevan virran taajuus ja jännite vastaavat laitteen sarjanumerokilpeen painettuja arvoja.
- Tarkista laitteen virtajohto säännöllisesti vaurioiden, halkeamien, yms. varalta. Mikäli virtajohto on viallinen tai vaurioitunut, vaihda se välittömästi uuteen.
- Onnettomuuksien välttämiseksi, ota yhteys valtuutettuun VIPER-huoltoliikkeeseen tai sähköalan ammattilaiseen virtajohdon vaihtoa varten.
- Älä vedä tai nosta laitetta sen virtajohdosta, äläkä missään tilanteessa käytä virtajohtoa kahvana tai laitteen ohjaamiseen. Älä aseta virtajohtoa oven väliin tai kiristä sitä teräviä kulmia tai reunoja vasten. Älä ohjaa laitetta virtajohdon yli.
- Pidä laitteen virtajohto etäällä kuumista pinnoista.
- Tulipalon, sähköiskun ja vammojen välttämiseksi älä koskaan poistu laitteen luota sen virtajohdon ollessa kytkettynä.
- Irrota laitteen virtajohto aina, kun laitetta ei käytetä ja ennen sen huoltamista.
- Sähköiskujen välttämiseksi pidä laite poissa sateesta tai vastaavista sääoloista. Säilytä laitetta kuivassa sisätilassa.
- Älä anna lasten leikkiä laitteella. Ole erityisen varovainen, mikäli käytät laitetta lasten lähettyvillä.
- Käytä laitetta vain tässä oppaassa esitettyjen ohjeiden mukaan. Käytä laitteessa ainoastaan suosittelemiamme lisävarusteita.
- Varmista aina, ettei hiuksia, koruja tai löysiä vaatteita pääse laitteen liikkuvien osien väliin.
- Kun poistut laitteen luota, varmista, että laite on sammunut ja että se pysyy paikallaan.
- Älä käytä laitetta pinnoilla, joiden kaltevuus ylittää ohjeissa ilmoitetun suurimman sallitun kaltevuuden.
- Älä käytä laitetta erityisen pölyisissä ympäristöissä.
- Varmista, ettei laitteen käytöstä aiheudu henkilö- tai aineellisia vahinkoja.
- Vältä törmäämistä hyllyihin tai telineisiin, etenkin mikäli näillä on esineitä, jotka voivat pudota.
- Älä aseta mitään nestettä sisältävää astiaa laitteen päälle.
- Laitetta saa käyttää vain sellaisessa tilassa, jonka lämpötila on 0–+40°C.
- Laitetta saa säilyttää vain sellaisessa tilassa, jonka lämpötila on 0–+40°C.

- Tilan ilmankosteuden on oltava 30–95 %.
- Älä käytä laitetta kuljetustarkoitukseen.
- Älä käytä laitetta pinnoilla, joiden kaltevuus ylittää ohjeissa ilmoitetun suurimman sallitun kaltevuuden.
- Lattiavaurioiden välttämiseksi: älä anna laitteen harjan/laikan pyöriä laitteen ollessa paikallaan
- Tulipalon sattuessa: käytä jauhesammutinta nestettä sisältävän sammuttimen sijaan.
- Älä poista tai muokkaa laitteen turvasuojuksia ja noudata tarkkaan kaikkia laitetta koskevia huolto-ohjeita.
- Älä päästä esineitä kulkeutumaan laitteen sisään sen ilmanvaihtoaukoista. Älä käytä laitetta, mikäli ilmanvaihtoaukot ovat tukkeutuneet. Pidä pöly, hiukset tai muut vieraat aineet etäällä laitteen ilmanvaihtoaukoista, jotta laitteen ilmanvaihto toimii asianmukaisesti.
- Älä irrota tai muokkaa laitteeseen kiinnitettyjä kilpiä tai merkkejä.
- Mikäli laitetta käytetään tässä oppaassa ilmoitetulla tavalla, laitteen ääritasoa ei aiheudu vaaraa. Laitteen ääritaso on alle 2,5 m/s² (98/37/EEC-EN 1033/1995).
- Tätä laitetta ei tule käyttää teiden tai katujen puhdistamiseen.
- Ole erityisen varovainen, mikäli kuljetat laitetta lämpötilan ollessa alle nolla astetta. Likavesisäiliössä ja letkuissa oleva vesi saattaa jäättyä, minkä seurauksena laite voi vaurioitua vakavasti.
- Käytä ainoastaan laitteen mukana toimitettuja tai sen ohjeissa ilmoitettuja harjoja ja laikkoja. Muiden harjojen ja laikkojen käyttö saattaa heikentää käyttöturvallisuutta.
- Mikäli laitteessa ilmenee toimintahäiriö, varmista aluksi, ettei häiriö johdu puutteellisiksi jääneistä huoltotoimenpiteistä. Mikäli tarpeen, ota yhteys asianmukaisesti koulutettuun huoltohenkilöstöön tai viralliseen VIPER-huoltopisteeseen.
- Mikäli laite
 - ei toimi asianmukaisella tavalla;
 - on vaurioitunut;
 - vuotaa vettä tai vaahtoa;
 - on ollut ulkona siihen haitallisesti vaikuttavissa sääoloissa;
 - on märkä tai pudonnut veteen:
- sammuta laite välittömästi ja ota yhteys valtuutettuun VIPER-huoltoliikkeeseen tai sähköalan ammattilaiseen.
- Mikäli laitteeseen tulee vaihtaa osia, tilaa asianmukaiset ja ALKUPERÄISET varaosat valtuutetulta VIPER-jälleenmyyjältä tai maahantuojalta.
- Jotta laite toimisi asianmukaisella ja turvallisella tavalla, sitä on huollettava asianmukaisen huoltohenkilöstön tai valtuutetun VIPER-huoltoliikkeen toimesta tämän oppaan huoltoa koskevassa luvussa esitetyn huolto-ohjelman mukaisella tavalla.
- Lue kaikki huoltoa koskevat ohjeet huolellisesti ennen huoltotoimenpiteiden suorittamista.
- Älä pese laitetta painepesurilla, vesisuihkulla tai millään syövyttävällä aineella.
- Laite on hävitettävä näissä ohjeissa esitetyllä tavalla, sillä laite sisältää haitallisia aineita (esim. akut, sähkökomponentit), jotka lakien ja määräysten mukaan tulee toimittaa asianmukaisiin keräyspisteisiin (kts. luku Hävittäminen).

LAITTEEN KUVAUS

- Säädettävä kahva-/ohjainosa
- Painevalettu alumiinirunko
- Kokoontaitettava kahva-/ohjainosa helpompaa säilytystä varten
- Turvakytkin
- Joustava harjainosa
- Suuret takarenkaat
- Ohjainosaan asennettu turvakytkin

LAITTEEN OSAT JA RAKENNE

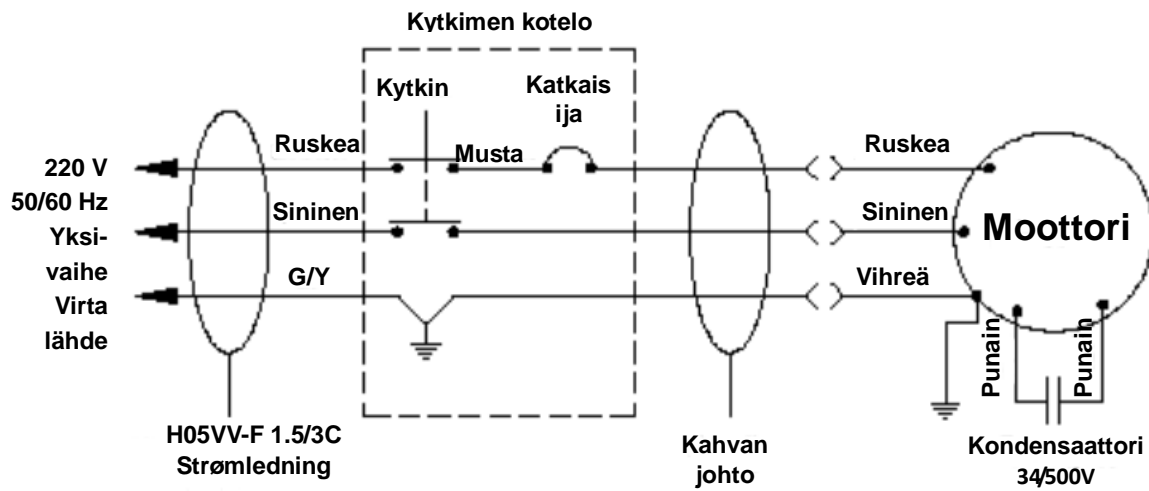
- | | |
|------------------|--------------------------------------|
| 5. Merkintäkilpi | 6. Kokoontaitettava kahva-/ohjainosa |
| 7. Kahvaosa | 8. Turvakytkin |
| 9. Puskuri | 10. Suojakansi |
| 11. Takarengas | |



TEKNISET TIEDOT

Malli	DR1500H-EU
Jännite	220–240 V
Teho	1100 W
Virta	6,5 A
Taajuus	50–60 Hz
Kierrosta/min	1500
Suojakansi	20" (51 cm)
Virtajohdon pituus	15 m
Paino	35 kg
Mitat	Pit: 83,8 cm
	Lev: 53,3 cm
	Kork: 120,6 cm

KYTKENTÄKAAVIO - DR1500H-EU



ULTRA HIGH SPEED -LATTIANHOITOKONEEN KÄYTTÖ

TAVANOMAINEN KÄYTTÖ

41] Poista kaikki tavarat ja esteet puhdistettavalta pinnalta.

42] Aseta kahvaosa pystyyn ja kallista laitetta taaksepäin, kunnes kahvaosa on kiinni lattiassa.

***Varmista, että laitteen virtajohto on irrotettu pistorasiasta.**

43] Avaa laikkaosan kiinnityspään vastakappaleen siipiruuvit.

44] Aseta asianmukainen kiillotuslaikka kiinnityspäähän ja kiinnitä kiinnityspään vastakappale takaisin paikalleen.

45] Laske laite takaisin lattialle.

46] Kytke laitteen virtajohto asianmukaisesti maadoitettuun pistorasiaan.

***Älä kytke virtajohtoa jatkojohtoon.**

47] Nosta/laske laitteen kahva-/ohjainosa itsellesi sopivalle korkeudelle.

48] Käynnistä laite painamalla ohjainyksikön päällä olevaa turvakytintä ja nostamalla jompaakumpaa laitteen kytkinvivusta.

49] Kun käytät laitetta, pidä molemmat kätesi laitteen kahvoilla (ohjainyksikön päällä).

50] Kun haluat sammuttaa laitteen, vapauta kytkinvipu, niin laite sammuu automaattisesti.

HUOLTO

Jotta laite toimisi moitteettomasti useiden vuosien ajan, sinun on suoritettava seuraavat huoltotoimenpiteet säännöllisesti.

*** Varmista, että laitteen virtajohto on irrotettu seinästä ennen kuin suoritat mitään huolto- tai korjaustoimenpiteitä.**

1] Irrota laitteen virtajohto aina heti käytön jälkeen.

2] Puhdista laitteen ulkopinnat miedolla puhdistusaineella.

3] Varmista, ettei virtajohdossa ole vaurioita. Mikäli havaitse vaurioita, vaihda virtajohto välittömästi uuteen.

4] Voitele laitteen pyörät vähintään kerran kuukaudessa vettä hylkivällä voiteluaineella.

5] Tarkista laite puuttuvien mutterien tai pulttien varalta ja korvaa puuttuvat pultit/mutterit välittömästi.

6] Mikäli laitetta on käytetty hyvin pölyisessä ympäristössä, voit avata moottorin suojakannen ja puhaltaa pölyä pois moottorin pinnoilta paineilmalla. Näin toimimalla varmistat, että moottorin ilmanvaihto toimii ja ettei moottori ylikuumene.

SÄILYTTÄMINEN

1] Irrota laitteen virtajohto.

2] Aseta laite pystyasentoon ja säilytä sitä kuivassa säilytystilassa.



Älä hävitä sähkölaitteita tavallisen sekajätteen tapaan, vaan toimita ne asianmukaiseen kierrätyspisteeseen.